

|           |       |
|-----------|-------|
| PROJECT   | _____ |
| TYPE      | _____ |
| SPECIFIER | _____ |
| QUANTITY  | _____ |
| DATE      | _____ |

## TARSIIUS POST

### E9B207-

|             |             |         |         |
|-------------|-------------|---------|---------|
| base number | Color       | Finish  | Lens    |
|             | Temperature | Options | Options |

- To build a product code in our configurator select the specify button on the base model # product page
- To build a manual product code on this datasheet choose from the options listed below in blue font and add the suffix to the base model #

#### GENERAL

|                                 |
|---------------------------------|
| Series: Tarsius                 |
| Brand: Platek                   |
| Division: Exterior              |
| Mounting Type: Post             |
| Mounting Location: Above Ground |
| Subcategory: Pedestrian         |

#### PHYSICAL

|   |
|---|
| Shape: Rectangle  |
| Width (mm): 350   |
| Width (in): 13 3/4  |
| Height (mm): 60   |
| Depth (mm): 497   |
| Height (in): 2 3/8  |
| Depth (in): 19 7/16   |
| Light Distribution: Direct  |
| Screws: A4 stainless steel  |
| Diffuser: Transparent Methacrylate - 4mm  |
| Fixture Finish: <a href="#">BLK</a> / <a href="#">WHI</a> / <a href="#">GRY</a> / <a href="#">COR</a> / <a href="#">ANT</a> / <a href="#">BRZ</a> |
| Fixture Material: Aluminum Die Cast   |

#### ELECTRICAL

|   |
|---|
| Lamp Type: LED                            |
| Input Wattage (W): 54                     |
| Total Output Wattage (W): 150             |
| Dimming: Non-Dimmable                     |
| Driver Included: Yes                      |
| Driver Location: Integrated               |
| Driver Type: Constant Current - Universal |
| Driver Class: Class 1                     |
| Input Voltage (V): 120 - 277              |
| Constant Current (mA): 700                |

#### LED

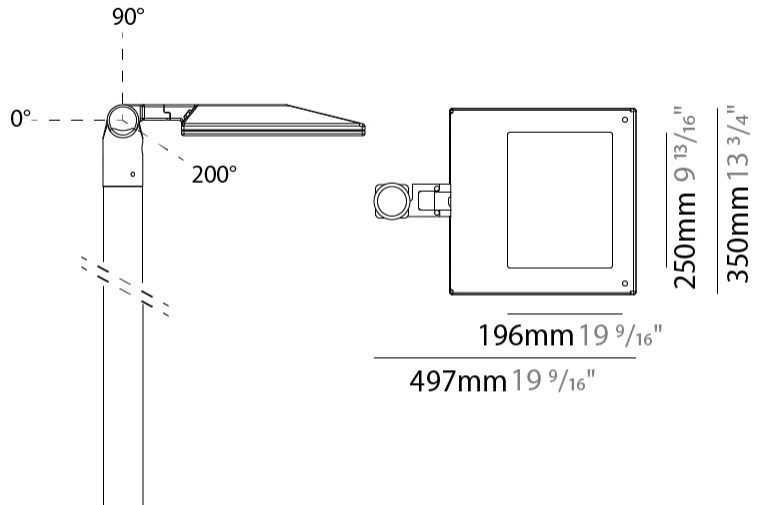
|   |
|---|
| Number of LEDs: 24  |
| Color Temperature (°K): <a href="#">3000</a> / <a href="#">4000</a> |
| Max. Delivered Lumen (lm): 4020 - 5770 / 4205 - 5975                |
| Nominal Lumen (lm): 6000 / 6240                                     |
| CRI: >80 CRI  |
| Lamp Life (hrs): 60000  |

#### OPTICAL

|  |
|--|
| Optic: <a href="#">Street</a> / <a href="#">Asymmetric</a> |
| Adjustability: Tilt -90° / +20°                            |

#### RATINGS AND CERTIFICATIONS

|  |
|--|
| Certified By: Certified for North American Standards |
| IP rating: IP66                                      |
| IK Rating: IK10                                      |
| Bug Rating: B2 U0 G1                                 |



## TARSIVS POST

E9B207-

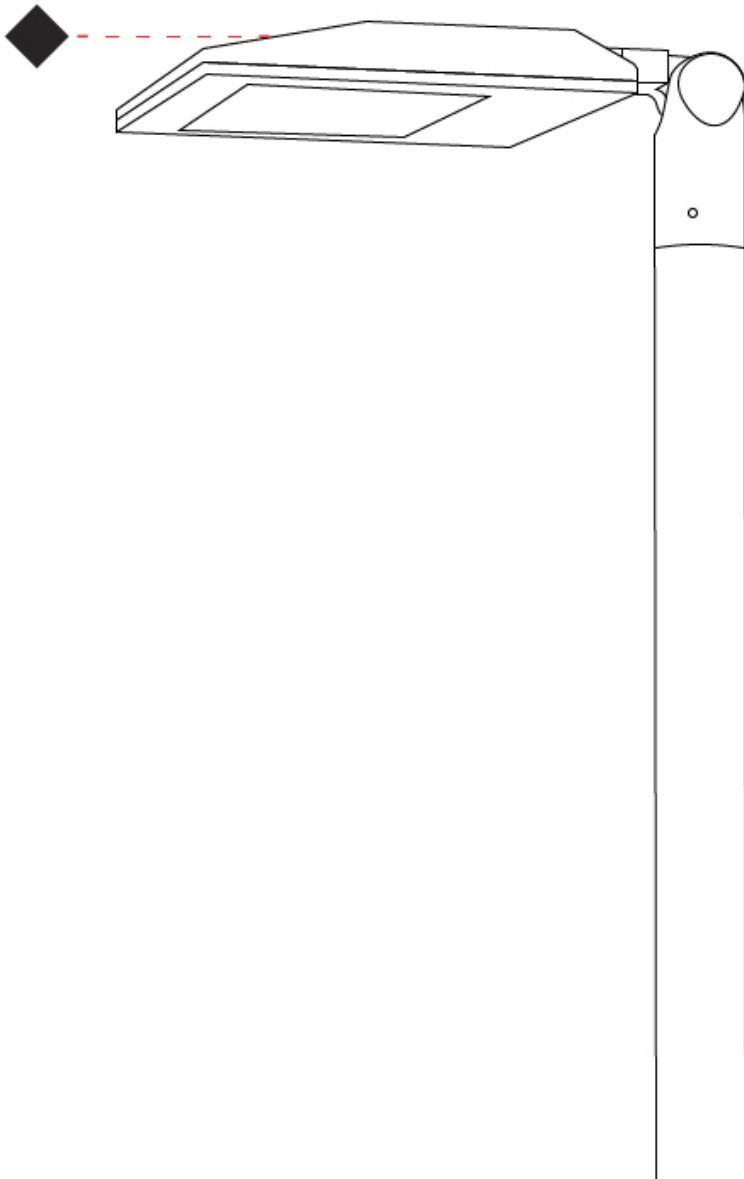
PROJECT \_\_\_\_\_

TYPE \_\_\_\_\_

SPECIFIER \_\_\_\_\_

QUANTITY \_\_\_\_\_

DATE \_\_\_\_\_



E

|           |       |
|-----------|-------|
| PROJECT   | _____ |
| TYPE      | _____ |
| SPECIFIER | _____ |
| QUANTITY  | _____ |
| DATE      | _____ |

## TARSIIUS SURFACE

### E9F263-

|             |             |         |         |
|-------------|-------------|---------|---------|
| base number | Color       | Finish  | Lens    |
|             | Temperature | Options | Options |

- To build a product code in our configurator select the specify button on the base model # product page
- To build a manual product code on this datasheet choose from the options listed below in blue font and add the suffix to the base model #

#### GENERAL

|                         |
|-------------------------|
| Series: Tarsius         |
| Brand: Platek           |
| Division: Exterior      |
| Mounting Type: Surface  |
| Mounting Location: Wall |
| Subcategory: Flood      |

#### PHYSICAL

|   |
|---|
| Shape: Rectangle                                  |
| Width (mm): 350                                   |
| Width (in): 13 3/4                                |
| Height (mm): 163                                  |
| Depth (mm): 478                                   |
| Height (in): 6 7/16                               |
| Depth (in): 18 13/16                              |
| Light Distribution: Direct                        |
| Screws: A4 stainless steel                        |
| Diffuser: Transparent Methacrylate - 4mm          |
| Fixture Finish: BLK / WHI / GRY / COR / ANT / BRZ |
| Fixture Material: Aluminum Die Cast               |

#### ELECTRICAL

|   |
|---|
| Lamp Type: LED                            |
| Input Wattage (W): 54                     |
| Total Output Wattage (W): 50              |
| Dimming: Non-Dimmable / 0-10V Dimming     |
| Driver Included: Yes                      |
| Driver Location: Integrated               |
| Driver Type: Constant Current - Universal |
| Driver Class: Class 1                     |
| Input Voltage (V): 120 - 277              |
| Constant Current (MA): 700                |

#### LED

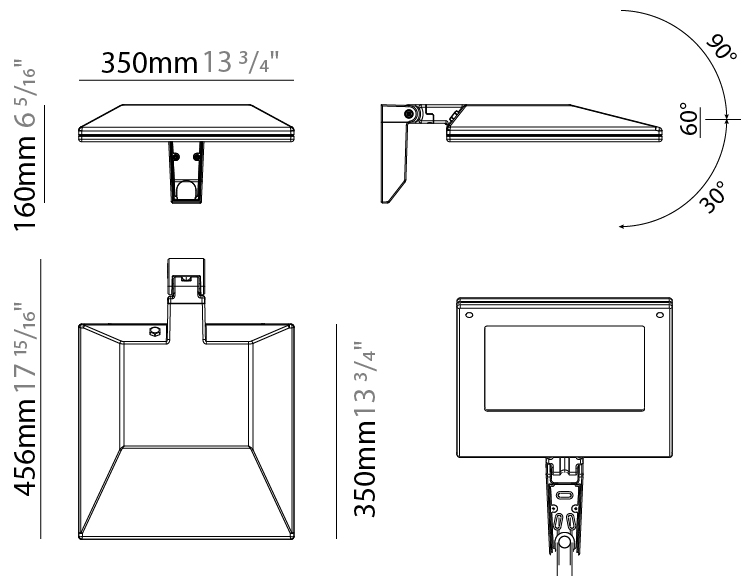
|  |
|--|
| Number of LEDs: 24                                   |
| Color Temperature (°K): 3000 / 4000                  |
| Max. Delivered Lumen (lm): 4020 - 5770 / 4205 - 5975 |
| Nominal Lumen (lm): 6000 / 6240                      |
| CRI: >80 CRI   |
| Lamp Life (hrs): 60000                               |

#### OPTICAL

|                                   |
|-----------------------------------|
| Optic°: Street / Asymmetric       |
| Adjustability: Tilt +90° / -22.5° |

#### RATINGS AND CERTIFICATIONS

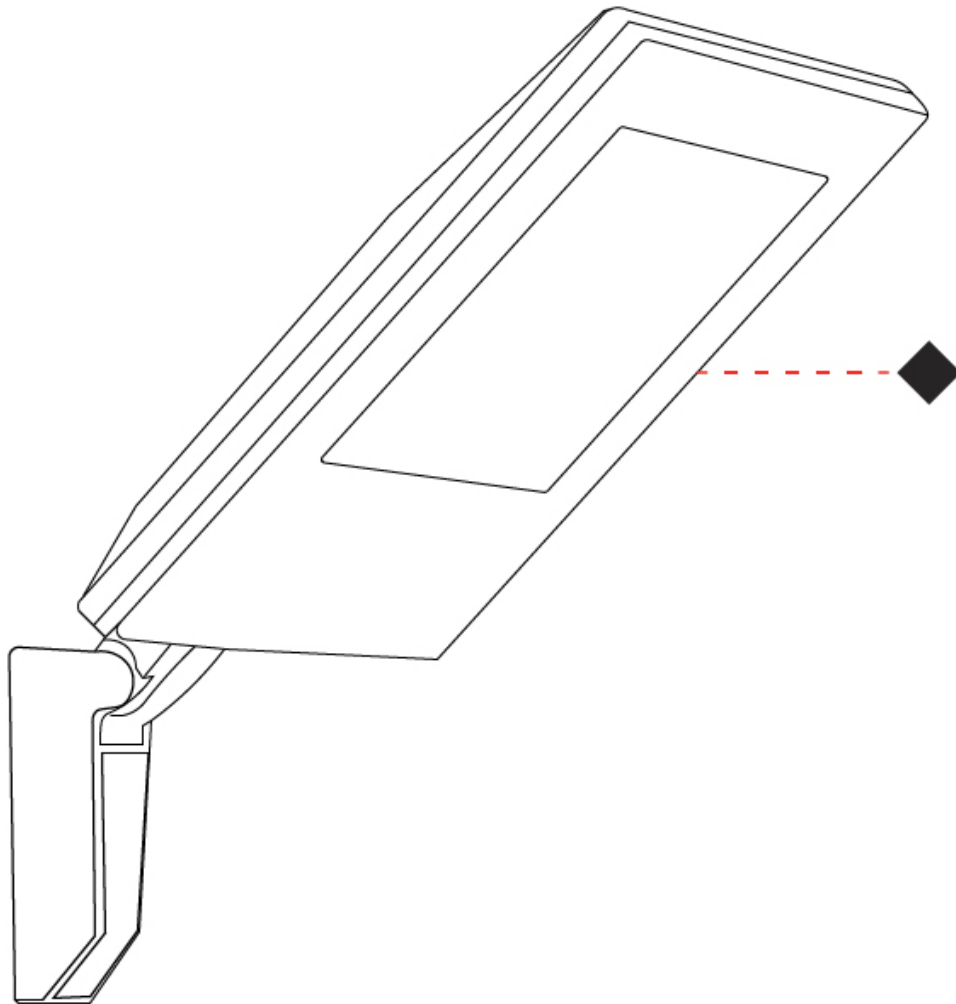
|  |
|--|
| Certified By: Certified for North American Standards |
| IP rating: IP66                                      |
| IK Rating: IK10                                      |
| Bug Rating: B2 U0 G1                                 |



## TARSIIUS SURFACE

E9F263-

|           |       |
|-----------|-------|
| PROJECT   | _____ |
| TYPE      | _____ |
| SPECIFIER | _____ |
| QUANTITY  | _____ |
| DATE      | _____ |



E

|           |       |
|-----------|-------|
| PROJECT   | _____ |
| TYPE      | _____ |
| SPECIFIER | _____ |
| QUANTITY  | _____ |
| DATE      | _____ |

#### Fixture Finish

Black - BLK



White - WHI



Gray - GRY



Corten - COR



Anthracite - ANT



Bronze - BRZ



**Digital:** Not all screens are calibrated the same, and therefore, colors will appear differently between screens.

**Physical:** When texture is involved, there will be variations in color, character and tone within a product series and between product families.



### LEGEND

|  |   |  |  |  |  |
|--|---|--|--|--|--|
|  | floor-mounted   |  | pivotal  |  | special LED (upon request) RGB, RGBW, tunable, gold+, meat+, art+, fashion+                    |
|  | wall and ceiling: recessed and surface mounted            |  | rotating   |  | warm dim / natural dimming LED   |
|  | ceiling-mounted and wall-mounted                          |  | illuminate tilted  |  | rechargeable battery powered   |
|  | wall-mounted  |  | color of suspension cable                                    |  | fixture with natural vivid LED (upon request)  |
|  | omni-directional light distribution                       |  | length of suspension cable                                   |  | color rendering index  |
|  | direct light distribution                                 |  | reflector degree selection                                   |  | color temperature  |
|  | direct/indirect light distribution                        |  | super spot   |  | lumen (luminous flux)  |
|  | indirect light distribution                               |  | lens   |  | efficacy (lumens per watt)   |
|  | asymmetric light distribution                             |  | lens pack  |  | Unified Glare Rating (UGR) range from 5-40   |
|  | aura light distribution                                   |  | shine ring   |  | marine grade (AISI 316 stainless steel)  |
|  | round wall or ceiling cut-out                             |  | integrated shine ring with diffuser                          |  | walk on  |
|  | square wall or ceiling cut-out                            |  | free individual colors 01-29                                 |  | drive on   |
|  | the supplied jig specifies the cutout dimensions          |  | individual colors: 00 (free of charge), 01-25 (extra charge) |  | Dark Sky Compliance  |
|  | minimum distance (meters) lamp - object                   |  | luminaire part to be colored (F1)                            |  | Americans with Disabilities Act (less than 4" off the wall located between 27"-84" from floor) |
|  | recessed depth  |  | luminaire part to be colored (F2)                            |  | lamp protected against explosion   |
|  | ceiling thickness in mm                                   |  | luminaire part to be colored (F3)                            |  | blown glass using traditional methods by master glass blower                                   |
|  | ceiling thickness selection                               |  | luminaire part to be colored (F4)                            |  | acoustic material  |
|  | dimmable DP (phase), DV (0-10V), DD (dali), DS (step-dim) |  | luminaire part to be colored (F5)                            |  | protection class I, protection insulation  |
|  | included or excluded LED driver/transformer/control gear  |  | color of 3-circuit adaptor                                   |  | protection class II, protection insulation   |
|  | separately switchable                                     |  | indirect diffuser  |  | ETL Certified to UL and CSA Standards  |
|  | sensor  |  | direct diffuser  |  | UL Certified to UL and CSA Standards   |
|  | remote control  |  | ball-proof (upon request)                                    |  | CSA Certified to UL and CSA Standards  |
|  | available upon request                                    |  | accessory  |  | Certified for North American Standards   |

### IP RATING

|  |  |
|--|--|
|  | protected against ingress of solid bodies greater than 12.5mm (finger)   |
|  | protected against ingress of solid bodies greater than 2.5mm<br>protected against sprays of water up to 60 degrees from the vertical (rain)      |
|  | protected against ingress of solid bodies greater than 1mm (wire)<br>no protection against the ingress of moisture                               |
|  | protected against ingress of solid bodies greater than 1mm (wire)<br>protected against sprays of water up to 60 degrees from the vertical (rain) |
|  | protected against ingress of solid bodies greater than 1mm (wire)<br>protected against water splashed from all directions                        |
|  | protected against limited ingress of dust (wet rooms/covered outdoor areas)<br>protected against water splashed from all directions              |
|  | protected against ingress of dust<br>protected against jets of water   |
|  | protected against ingress of dust<br>protected against powerful jets of water or heavy seas  |
|  | protected against ingress of dust<br>protected against immersion of water between 15cm - 1m for 30 minutes                                       |
|  | protected against ingress of dust<br>protected against immersion of water under pressure for long periods  |

### IK RATING

|  |   |
|--|---|
|  | protected against 0.14 joules impact (equivalent to 0.25kg mass dropped from 56mm above the surface)  |
|  | protected against 0.2 joules impact (equivalent to 0.25kg mass dropped from 80mm above the surface)   |
|  | protected against 0.35 joules impact (equivalent to 0.25kg mass dropped from 140mm above the surface) |
|  | protected against 0.5 joules impact (equivalent to 0.25kg mass dropped from 200mm above the surface)  |
|  | protected against 0.7 joules impact (equivalent to 0.25kg mass dropped from 280mm above the surface)  |
|  | protected against 1 joules impact (equivalent to 0.25kg mass dropped from 400mm above the surface)    |
|  | protected against 2 joules impact (equivalent to 0.5kg mass dropped from 400mm above the surface)     |
|  | protected against 5 joules impact (equivalent to 1.7kg mass dropped from 300mm above the surface)     |
|  | protected against 10 joules impact (equivalent to 5.0kg mass dropped from 200mm above the surface)    |
|  | protected against 20 joules impact (equivalent to 5.0kg mass dropped from 400mm above the surface)    |